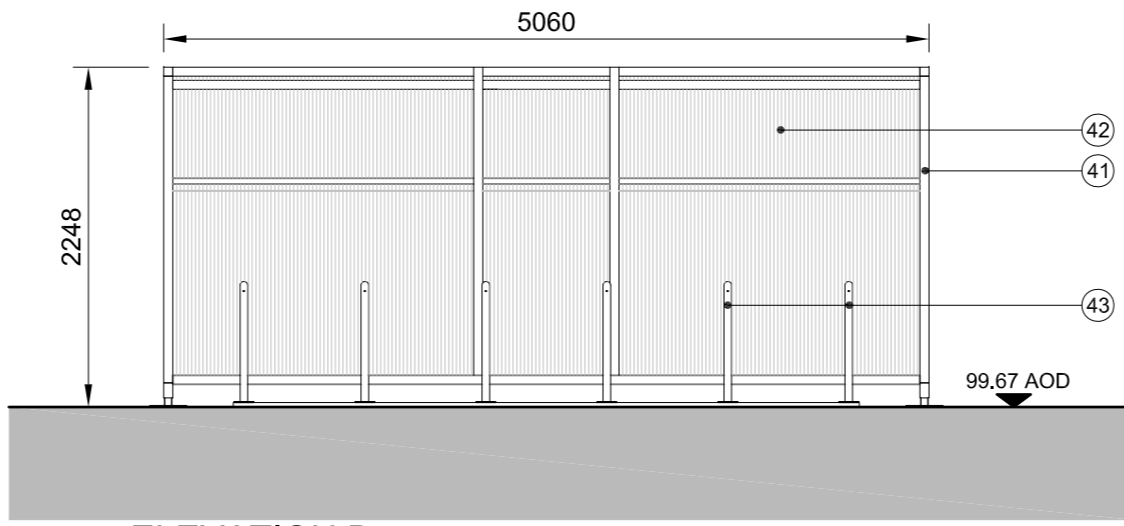


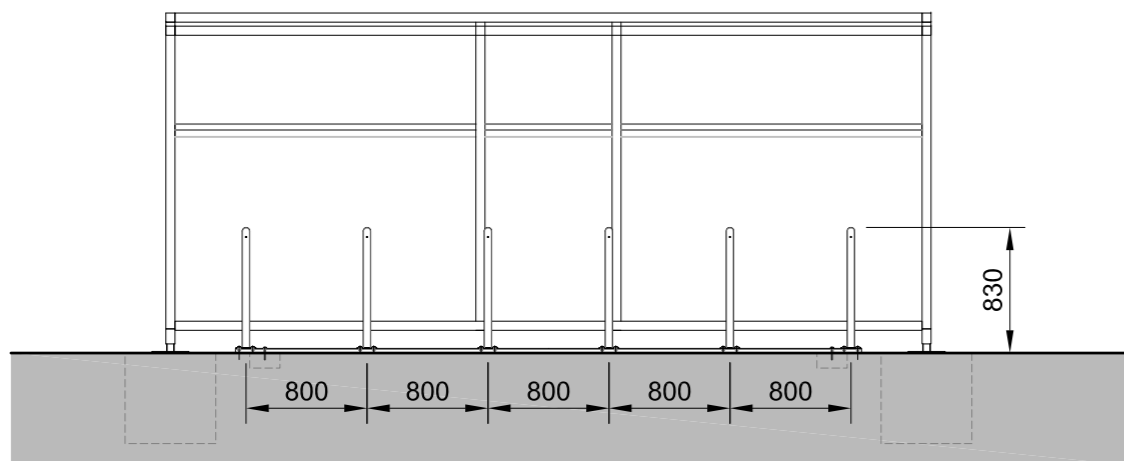
ELEVATION A



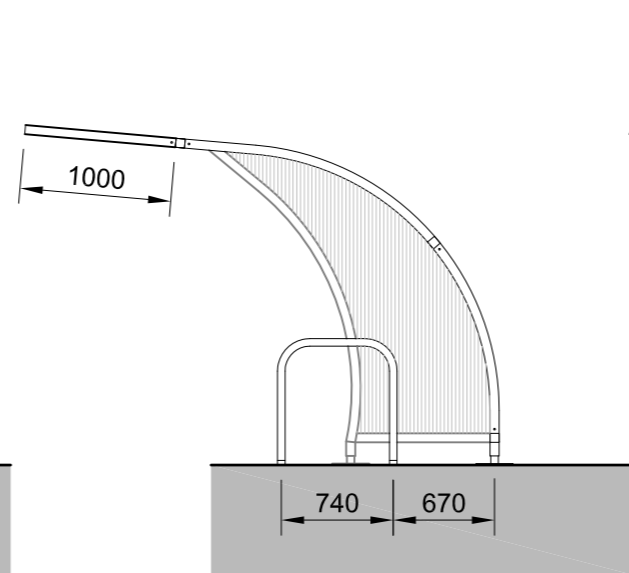
ELEVATION B

ELEVATION A
Scale: 1:50

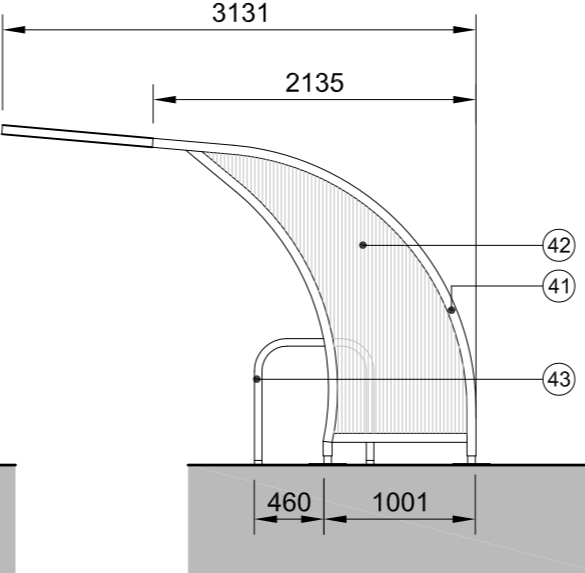
ELEVATION B
Scale: 1:50



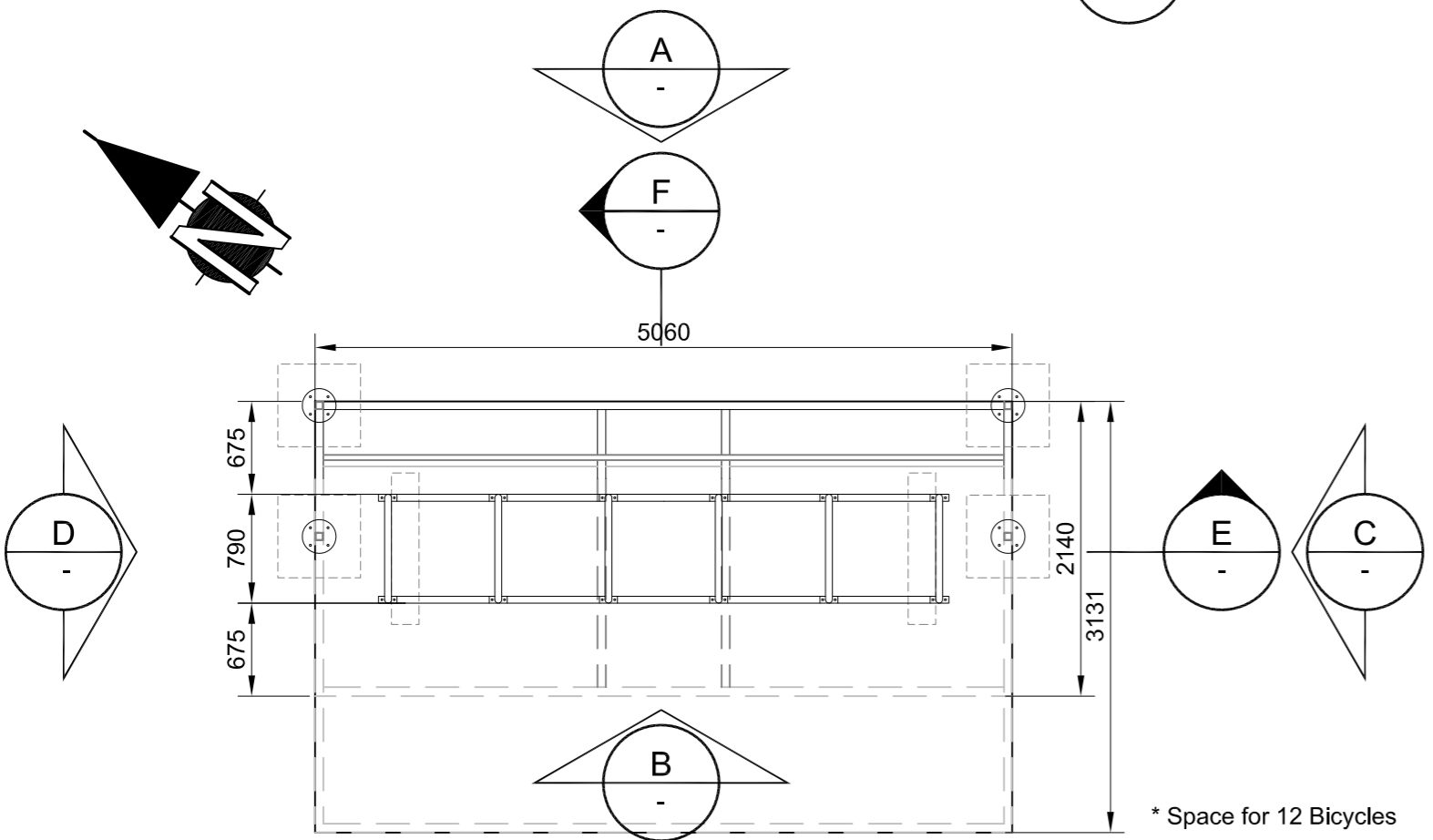
SECTION E
Scale: 1:50



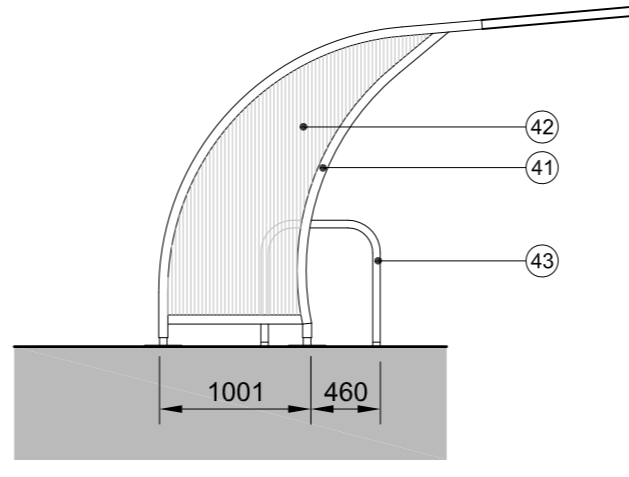
SECTION F
Scale: 1:50



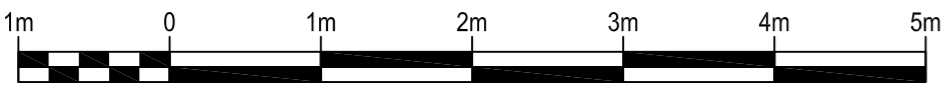
ELEVATION C
Scale: 1:50



BICYCLE SHELTER PLAN
Scale: 1:50



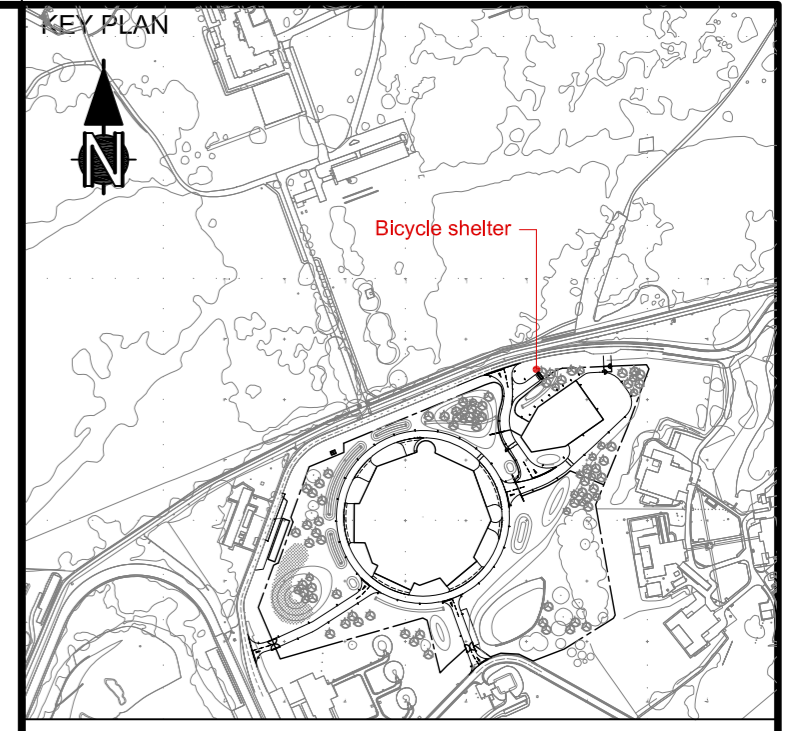
ELEVATION D
Scale: 1:50



Scale 1:50

Key To Materials

- 1 Reconstituted stone precast plinth colour grey with textured finish, and with single precast corner units and continuous horizontal strikes, top flashing in mill finished Aluminium, with vertical joints
- 2 Timber rainscreen cladding (European Larch heartwood Grade 1, grown in uk) with vertical mill finish Aluminium tapered fins, end grain to timber protected with horizontal Aluminium flashings. Black anodised support rails with cork insulation behind.
- 3 Aluminium mill finish louvres
- 4 White smooth synthetic render system
- 5 Clear glazing in silver anodised Aluminium frames
- 6 Insulated glass spandrel panels with textured clear glass outer pane and coloured inner pane in silver anodised Aluminium frames
- 7 Roof edge upstand and fascia in grey anodised Aluminium.
- 8 Green roof to be planted with mixed sedum species, in stone ballast
- 9 Standing seam roof system in zinc coated Aluminium. Orientation of sheeting indicated by direction of lines on Roof plan
- 10 Roof hip upstands in zinc coated Aluminium.
- 11 Gutter in mill finished Aluminium
- 12 Rainwater outlets, overflow chutes and down pipes in galvanised steel, natural finish
- 13 Sunpipes for natural light, clear acrylic with Aluminium mill finish frames
- 14 Exhaust stack with zinc cladding
- 15 Roof ventilators in Aluminium mill finish
- 16 Smoke ventilators in Aluminium mill finish
- 17 Snowguard, cables and fixings in galvanised steel
- 18 Mansafe system in stainless steel
- 19 Roof maintenance access hatch in Aluminium mill finish
- 20 Roof maintenance walkways in Aluminium mill finish
- 21 Brise soleil in silver anodised Aluminium
- 22 Personnel doors, painted steel to match surrounding concrete plinth or render colour, as appropriate
- 23 Louvre doors in Aluminium mill finish
- 24 Loading bay doors, painted steel to match surrounding concrete plinth or render colour (grey or white), with matching overhead rail enclosure, where shown
- 24 Sectional insulated door, painted grey
- 25 Clear glazed doors with silver anodised Aluminium frames
- 26 Lightning protection masts white painted steel, with support struts and self-finished reinforced concrete base
- 27 Lightning protection system high level cable array, Aluminium cable with steel core. Connected at cross-over points and to the masts with natural finish non-ferrous node clamps
- 28 Bollards painted steel, to match zinc roof colour
- 29 Metal fins painted white to match lightning protection masts
- 30 Metal radiused tubes painted white, with bird wire
- 31 Polished stainless steel handrail tubes
- 32 External lighting
- 33 Paving slabs in pre-cast concrete
- 34 Single ply membrane roof finish, grey colour
- 35 Precast base panels to match plinth above, 150mm
- 36 Vent pipe, Aluminium mill finish
- 37 Handrail with mesh screen in galvanised steel
- 38 Soffit of eaves to roof, grey painted Aluminium panels
- 39 Aluminium, mill finished, vertical Aluminium fins
- 40 Metal slat boards in mill finished Aluminium, the width to match adjacent timber cladding, concealing louvres behind
- 41 Painted steel frame to match adjacent concrete plinth or render (grey or white) colour
- 42 Clear polyurethane sheet canopy
- 43 Galvanised steel bicycle rack
- 44 Roof edge profile in grey anodised Aluminium, with panels to radial geometry, Max panel facet length 1.5m with flush joints
- 45 Yorkstone paved steps and landings
- 46 Lightning protection system finial, mill finished aluminium - 1m
- 46 Lightning protection system finial, mill finished aluminium - 1.5m



SAFETY, HEALTH AND ENVIRONMENTAL INFORMATION

For details of site-wide and general risks, to be read in conjunction with these notes, see Drg/Rep No:.....
In addition to the risks normally associated with the types of work detailed on this drawing, note the following risks and information

CONSTRUCTION	Ci
MAINTENANCE	Mi
DISMANTLING/DEMOLITION (Future)	Di
ENVIRONMENTAL	Ei

For information relating to Use of Cleaning and minor Maintenance see the H&S File

It is assumed that all works will be carried out by a competent contractor working, where appropriate, to an approved method statement.

NOTES

REV.	COMMENTS	DATE	DRWN	CHKD
3	For Planning Issue	30/04/10	ML	DO
2	For Planning Issue	13/01/10	ML	DO
1	For Planning Issue	04/12/09	ML	DO

A2	1:50	ISSUING OFFICE	VAULT 111	PROJECT NUMBER
----	------	----------------	-----------	----------------

STATUS	PURPOSE OF ISSUE
D0	PLANNING ISSUE

ORIGINATOR

PROJECT
HYDRUS

TITLE
BICYCLE SHELTER
PLANS, ELEVATIONS & SECTIONS

CLIENT
AWE
ALDERMSTON, READING
BERKSHIRE, RG7 4PR

PROTECTIVE MARKING
UNCLASSIFIED

AWE DRAWING REFERENCE NUMBER (FOR AWE OFFICE USE ONLY)	DOC Rev	DWG Rev
-	-	3

PROJECT DRAWING NUMBER
A-HYDRUS-ATK-99-XX-DRW-AR-200-111-005009