

TREE & SHRUB SCHEDULE

TREES	No	Plant Name	HT	Girth	Min Breaks	Root
	14	Alnus incana	min 450cm	14-16cm	5	R/OC
	15	Betula pendula MS		min 3 stems	5	R/OC
	28	Betula pubescens		14-16cm	5	R/OC
	18	Quercus robur	16-20cm	20-25cm	5	R/OC
	4	Quercus robur (2m clear stem)				R/OC

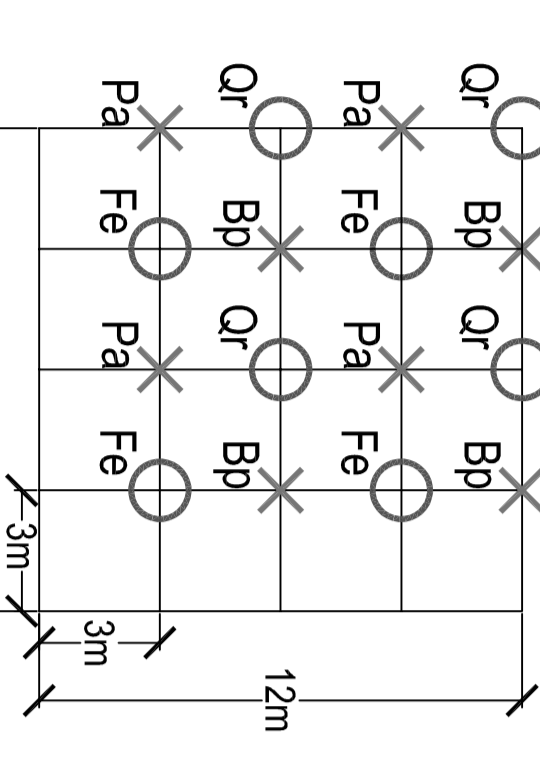
TREE MIX A (Refer to Matrix 1)	No	Plant Name	HT/Spnd	Girth	Min Breaks	Root
	25	Betula pubescens	175-200cm	Find	5	R/B
	25	Fraxinus excelsior	250-300cm	8-10cm	3	R/B
	28	Prunus avium	350-425cm	12-14cm	5	R/B
	25	Quercus robur	175-200cm	Find	5	R/B

TREE MIX B	No	Plant Name	HT/Spnd	Girth	Min Breaks	Root
	12	Acer campestre	40-60cm	Find	5	B
	10	Betula pubescens	175-200cm	Find	5	B
	20	Corylus avellana	40-60cm			B
	10	Catagopus monogyna	40-60cm			B
	10	Fraxinus excelsior	300-350	10-12cm	4	B
	10	Prunus avium	60-80cm			B
	10	Prunus spinosa	60-80cm			B
	20	Quercus robur	200-250cm	Find	min 2x5	R/B

EDGE MIX C (@ 0.5m c/s. Refer to Matrix 2)	No	Plant Name	HT/Spnd	Girth	Min Breaks	Root
	15	Acer campestre	40-60cm			B
	20	Corylus avellana	40-60cm			B
	30	Catagopus monogyna	40-60cm			B
	15	Prunus spinosa	40-60cm			B
	20	Symphoricarpos rivularis	40-60cm			B

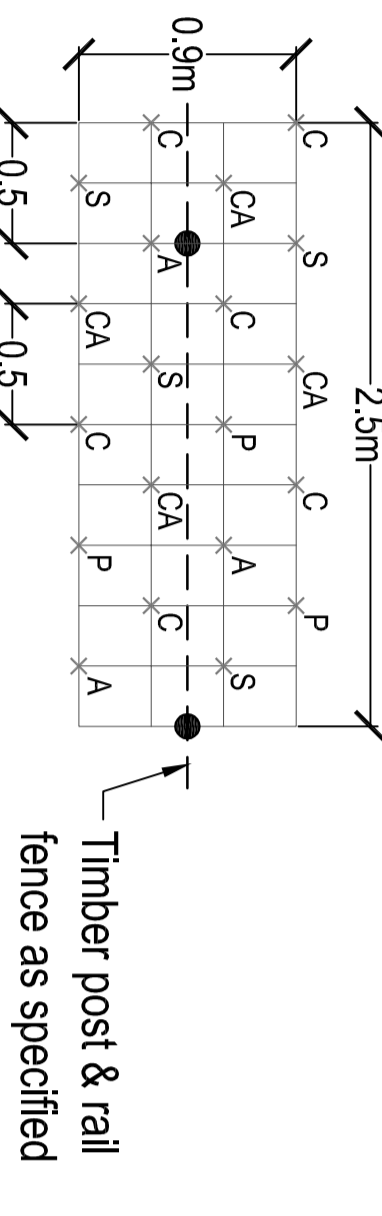
EDGE MIX C (@ 0.5m c/s. Refer to Matrix 2)	No	Plant Name	HT/Spnd	Girth	Min Breaks	Root
	229	Acer campestre	40-60cm			B
	20	Corylus avellana	40-60cm			B
	458	Catagopus monogyna	40-60cm			B
	15	Prunus spinosa	40-60cm			B
	20	Symphoricarpos rivularis	40-60cm			B

PLANTING MATRIX 1



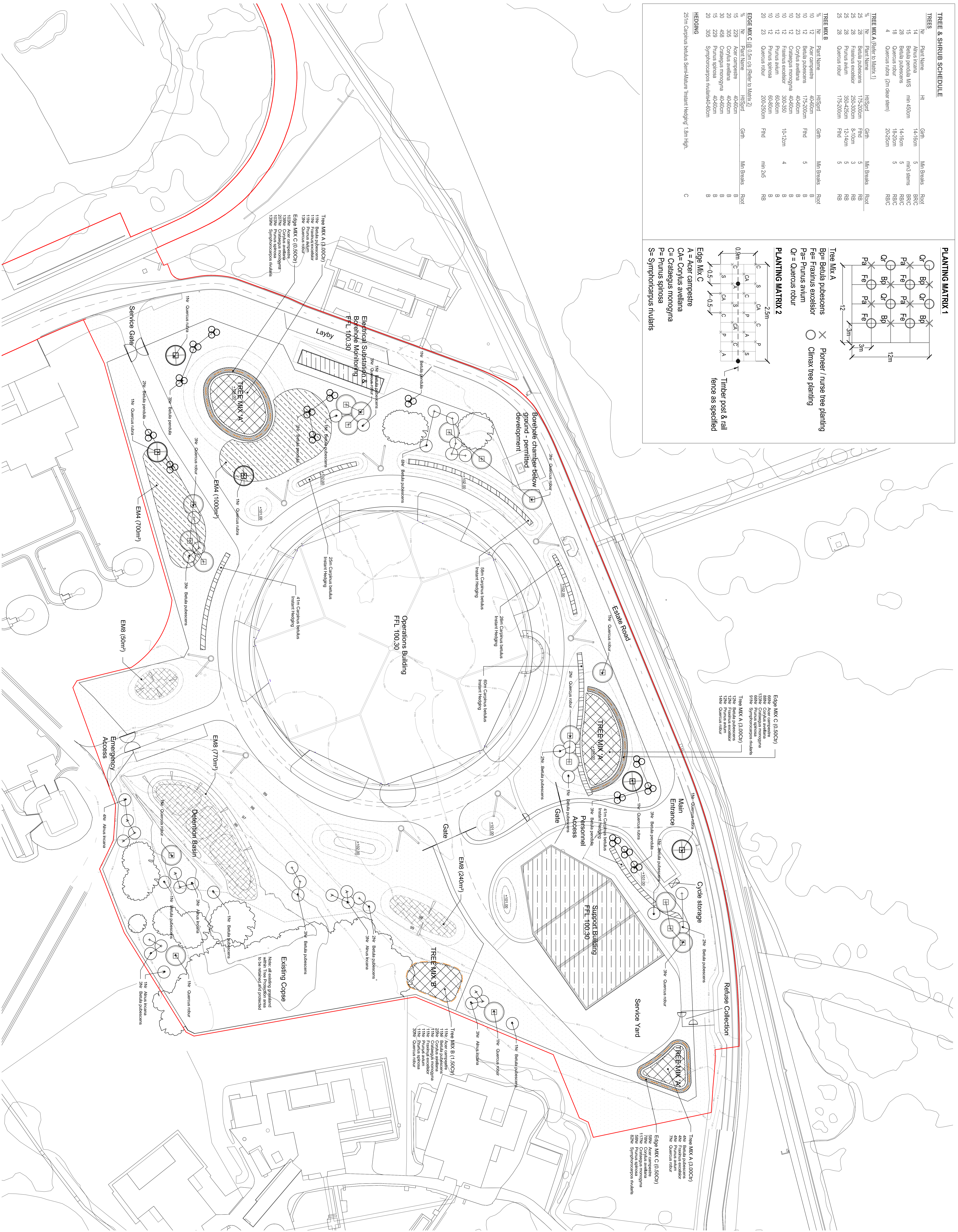
- Tree Mix A
 Bp= Betula pubescens
 Fe= Fraxinus excelsior
 Pa= Prunus avium
 Qr= Quercus robur
- Tree Mix B
 X= Pioneer / nurse tree planting
 O= Climax tree planting

PLANTING MATRIX 2



- Edge Mix C
 A= Acer campestre
 CA= Corylus avellana
 C= Catagopus monogyna
 P= Prunus spinosa
 S= Symphoricarpos rivularis

- Edge MIX C (0.50C/S)
 68N/ Acer campestre
 133N/ Corylus avellana
 133N/ Catagopus monogyna
 81N/ Prunus spinosa
 81N/ Symphoricarpos rivularis



LEGEND

- Site boundary
- Existing trees to be retained
- Safety fences and gates
- Planting of new grass seedling
- Amenity Grass: ES4-422
- Wetland grassland: EM 8
- Medium grassland: EM 4
- Extensive Green roof Stadium species as specified under RPS Green Roof Planting Plan SS 165-2/31
- Copse planting @ 3m centres (Refer to Matrix 1)
- Punctate edge (Refer to Matrix 2)
- Stem reduction 'stream hedging' - 1m/2m containment stock to provide a structural initial screen
- Temporary protection fencing
- Point & wire fencing
- Quercus robur 20-25cm Girth specified
- Quercus robur 15-20cm Girth UK Planted in winter ground as specified
- 2.5-3m Mallem Betula pendula Low double stake
- 14-16cm girth Betula pubescens Double timber stake
- 14-16cm girth Alnus incana Double timber stake



Revised	By	Date	Check	Notes
B	13/05/19	Minor revisions	NJ	DC
A	14/01/19	Revised layout	NJ	KR

Scale: FOR PLANNING
 Notes: Contractors see not to scale from this drawing. All attributions and/or considerations between this drawing and information given elsewhere must be reported to the office. If in doubt, ask.

RPS
 RPS Ltd
 1000, The Quadrant, Leeds LS2 9JL
 T: 0113 242 0000 E: info@rps.com W: www.rps.com

Client: AWE
 Project: Hydus Admstron
 Title: Planting Proposals
 Ref: MER-10-016751
 Date: 10/09 Scale: 1:500 Paper Size: A0
 Drawn: SH Checked: KR Job Ref: JSL1864
 Drawing Number: 500 Rev: FINAL