

G&H Technology, Inc.

HOME

LAUNCH

Staging

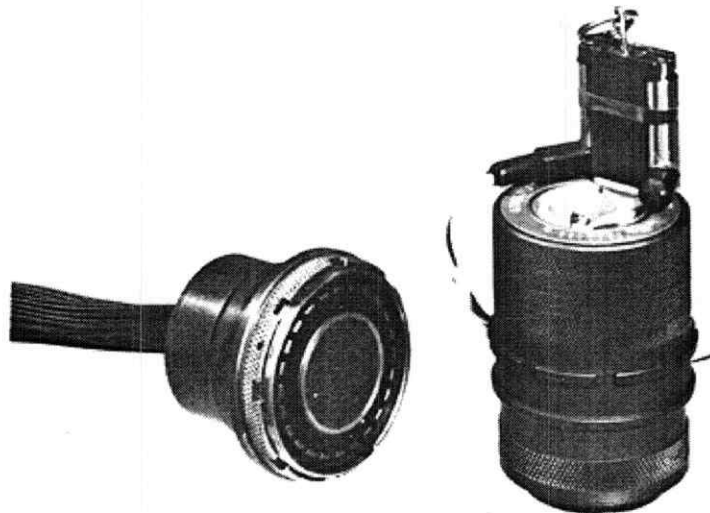
Payload Release

STAGING SEPARATION

[Low Imparted Impulse Connector] [Four-Channel Fiber Optic Staging Connector]
 [Interstage Connector] [Low-Force Electrically Released In-Flight Disconnect]
 [Interstage Raceway Connector]

MODEL 704E

ELECTRICALLY RELEASED IN-FLIGHT DISCONNECT



Early
TRIDENT
MARU

QUALIFICATION STATUS: Qualified for Discoverer, Venus Pioneer, Mark 500 RV

- DISCONNECT MODES:**
1. Electrical release occurs when 5 amperes minimum is applied for 15 milliseconds minimum to either redundant non-pyrotechnic pin puller. No-fire current is 1-ampere for 5 minutes. Complete connector separation occurs within 50 milliseconds.
 2. Mechanical release initiates with a 3-pound to 9-pound axial pull on the lanyard. Complete connector separation occurs within 50 milliseconds.

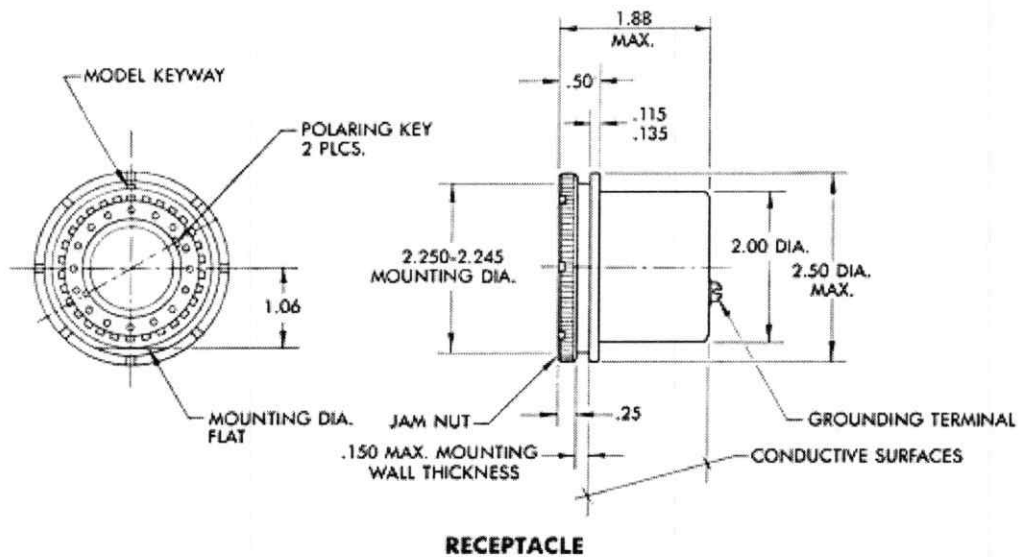
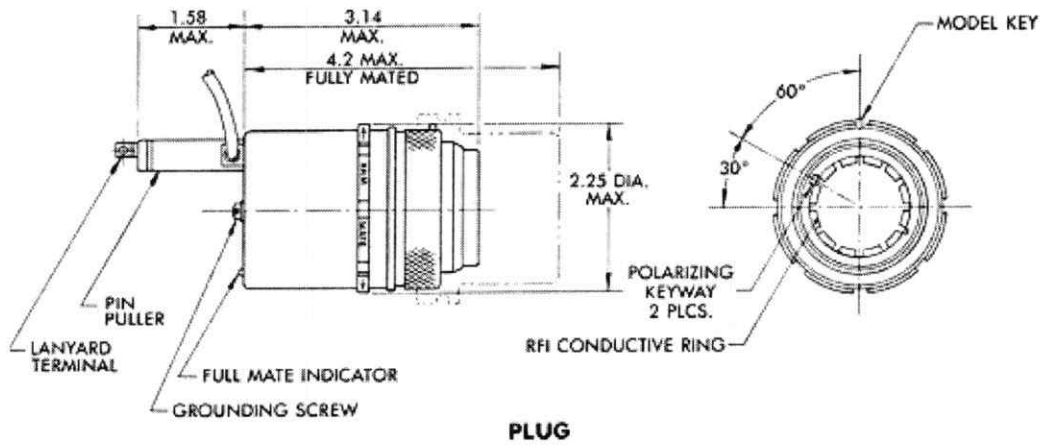
- MAJOR DESIGN FEATURES:**
- Anti-bind roll-off shells.
 - 360 degree RFI shell continuity.
 - Separation impulse force is less than 0.3 pound-second.
 - Shells are aluminum with hard anodize finish.
 - Potted wire entry seals.
 - Connector meets NAS-1599 electrical requirements.
 - Contacts meet NAS-1600 performance requirements.
 - Full mate indicator with tactile sensing.

CONTACT ARRANGEMENTS:

- a. 61 #20
- b. 31 #16

WEIGHT:
Plug 0.88 pound.

Receptacle 0.38 pound.



[Terms and Conditions](#) | [Quality Clauses](#) | [AS9100 Certificate](#)
[Product Request Form](#) | [Request for Quotation](#) | [Sales Representatives](#)
[Mission-Management](#) | [Driving Directions](#) | [Customer Feedback](#)

Copyright © 1999 G&H Technology, Inc. All rights reserved.
 G&H Technology, Inc., 750 West Ventura Blvd Camarillo, CA 93010
 Toll-Free: (800) 840-0502 Phone: (805) 484-0543 Fax: (805) 987-5062
 E-mail: ghtech@ghtech.com

Last Modified: Friday, March 17, 2006